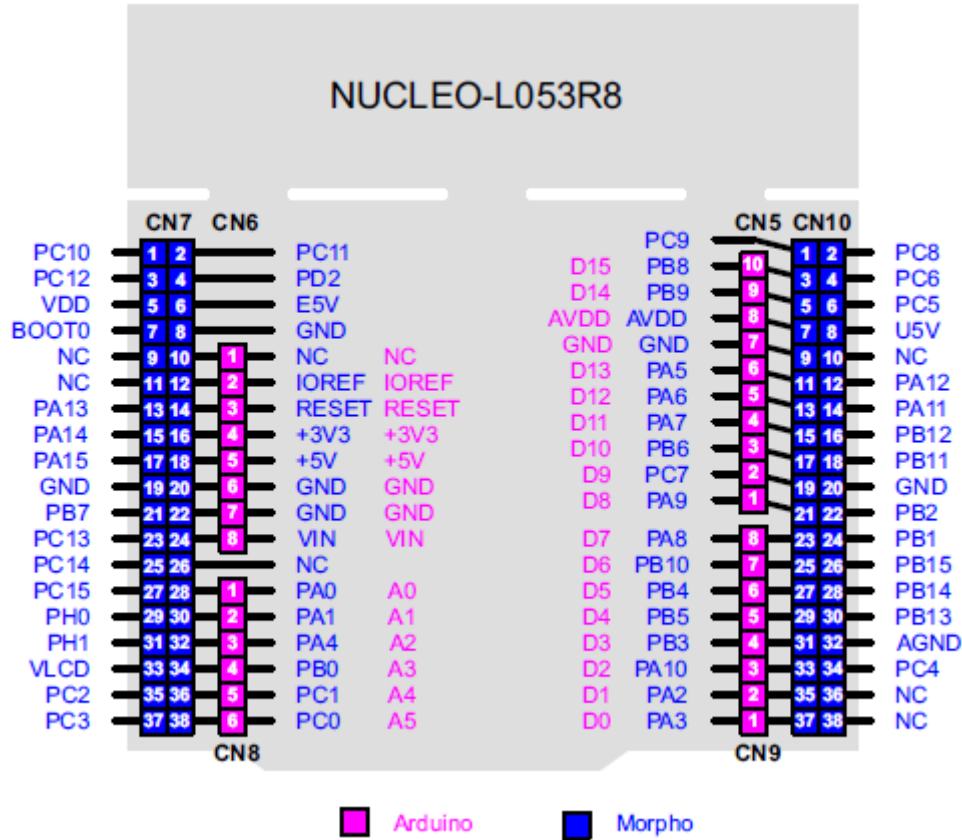


PIN MAPPING NUCLEO-L053R8



Labels usable in code

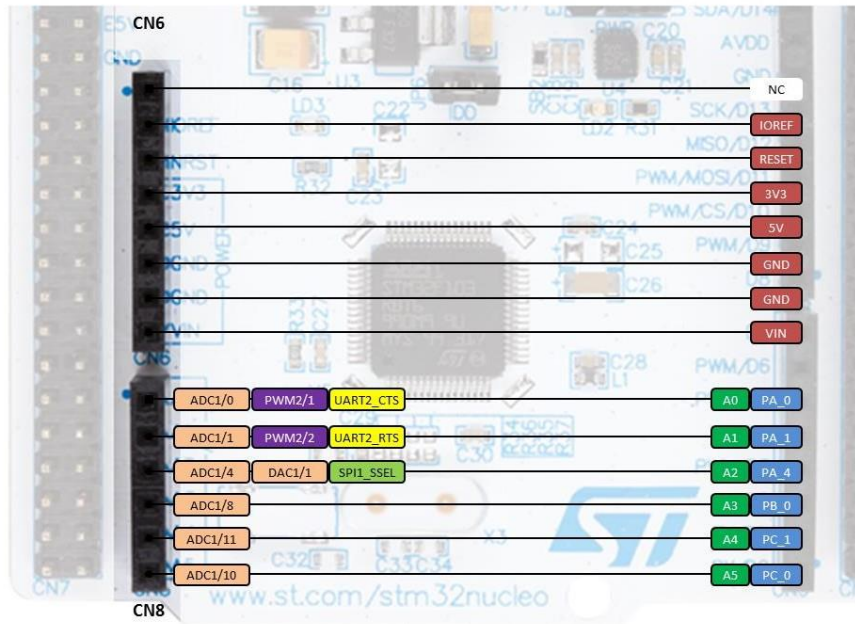
- PX_Y MCU pin without conflict
- PX_Y MCU pin connected to other components
See [PeripheralPins.c](#) (link below) for more information
- XXX Arduino connector names (A0, D1, ...)
- XXX LEDs and Buttons (LED_1, USER_BUTTON, ...)

Labels not usable in code (for information only)

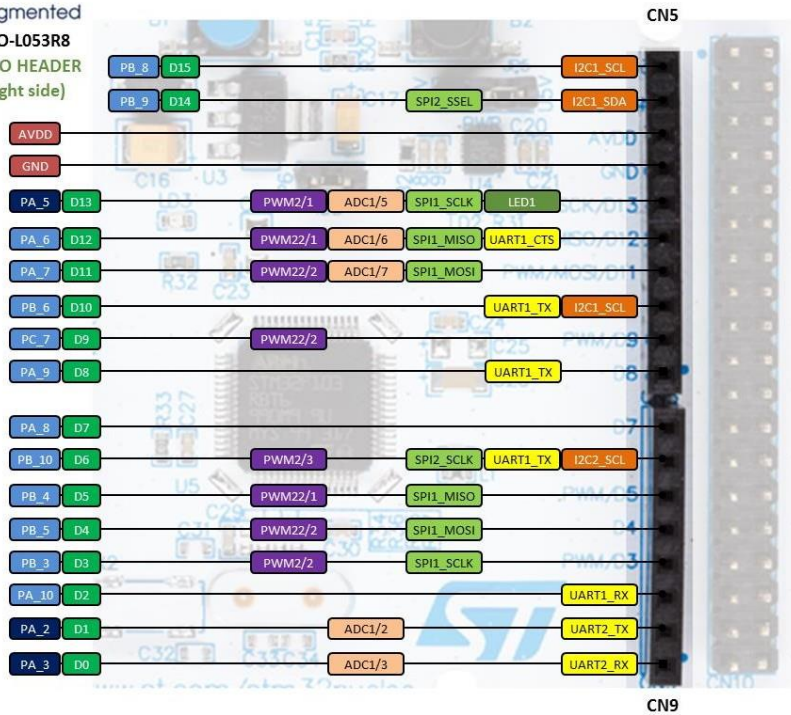
- XXX Serial pins (USART/UART)
- XXX SPI pins
- XXX I2C pins
- XXX PWMOut pins (TIMER n/c[N])
n = Timer number c = Channel
N = Inverted channel
- XXX AnalogIn (ADC) and AnalogOut pins (DAC)
- XXX CAN pins
- XXX Power and control pins (3V3, GND, RESET, ...)



life.augmented
NUCLEO-L053R8
ARDUINO HEADER
(top left side)

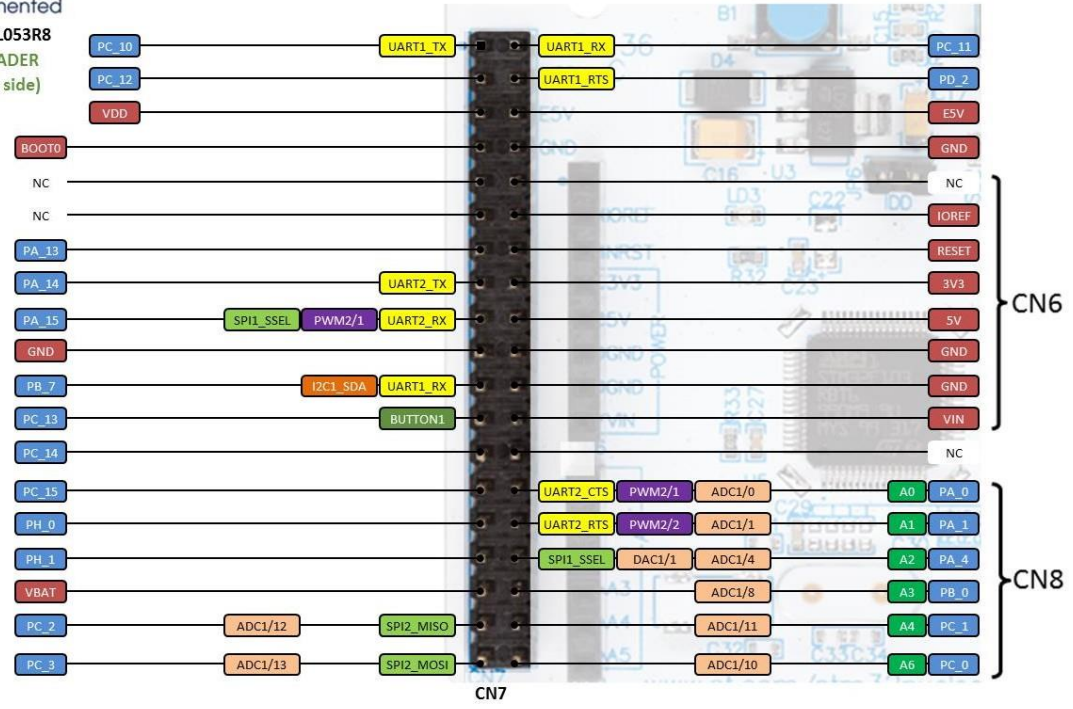


life.augmented
NUCLEO-L053R8
ARDUINO HEADER
(top right side)





NUCLEO-L053R8
CN7 HEADER
(top left side)



NUCLEO-L053R8
CN10 HEADER
(top right side)

